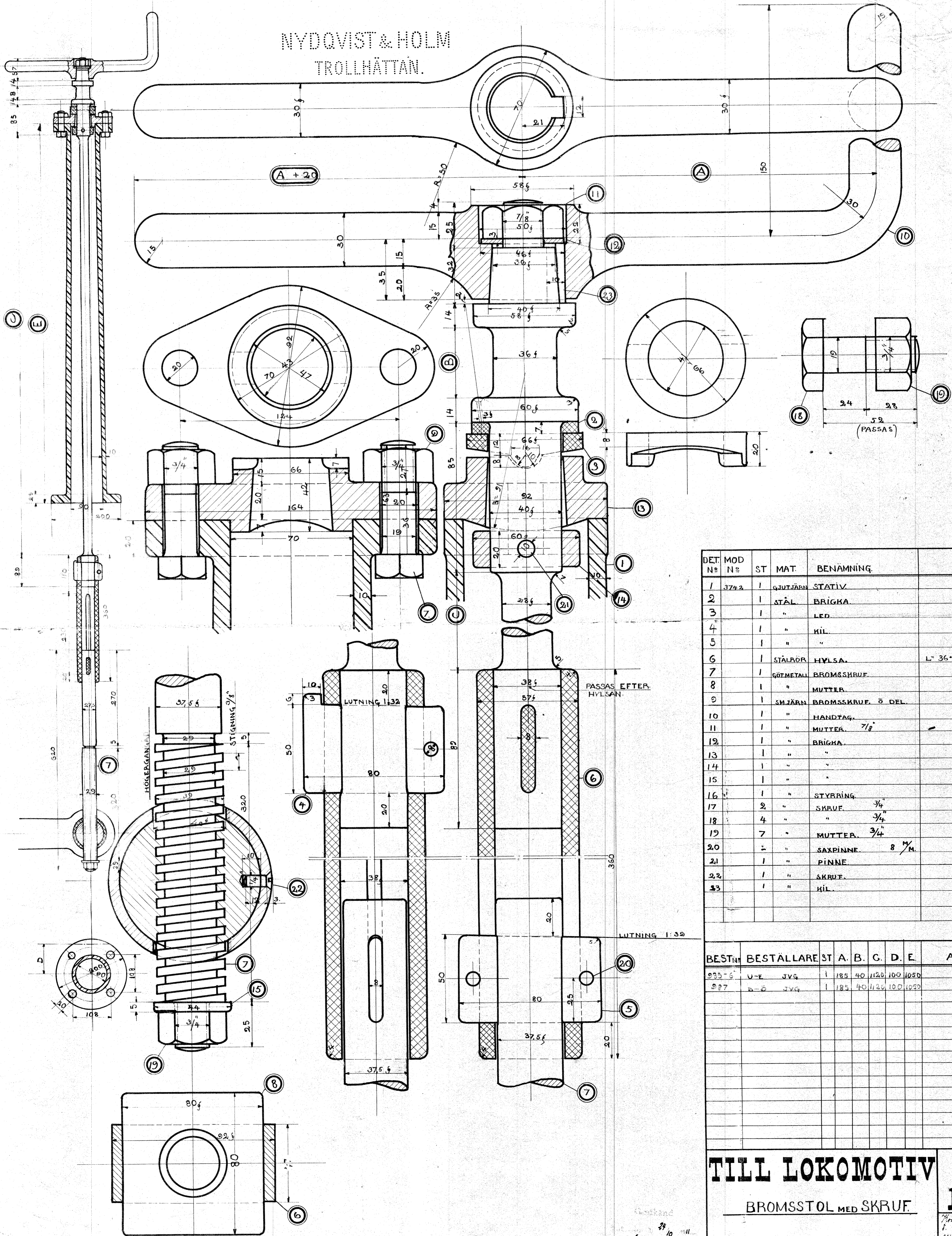


NYDOVIST & HOLM
TROLLHÄTTAN.



DET. N ^o	MOD. N ^o	ST	MAT.	BENÄMNING	ANM.
1	3742	1	GIUTJÄRN	STATIV	
2		1	STÅL	BRIGGA	
3		1	"	LED	
4		1	"	KIL	
5		1	"	"	
6		1	STÅLPLÅT	HYLSA	L=36" 57x38
7		1	GÖTMETALL	BROMSSKRUF	
8		1	"	MUTTER	
9		1	SMJÄRN	BROMSSKRUF. Ø DEL.	
10		1	"	HANDTAG	
11		1	"	MUTTER. 7/8"	
12		1	"	BRIGGA	
13		1	"	"	
14		1	"	"	
15		1	"	"	
16		1	"	STYRNING	
17		2	"	SKRUF. 3/4"	
18		4	"	" 3/4"	
19		7	"	MUTTER. 3/4"	
20		2	"	SAXPINNE. 8 1/4"	
21		1	"	PINNE	
22		1	"	SKRUF.	
23		1	"	KIL	

BEST. N ^o	BESTÄLLARE	ST	A.	B.	C.	D.	E.	ANM.	MF. N ^o
933-5	V-E	JVG	1	185	40	1120	100	1090	
937	B-6	JVG	1	185	40	1120	100	1090	

TILL LOKOMOTIV L 12671
BROMSSTOL MED SKRUF.

SKALA. 1:5, 1:1.

KOP. 24/10/1911
E.O.